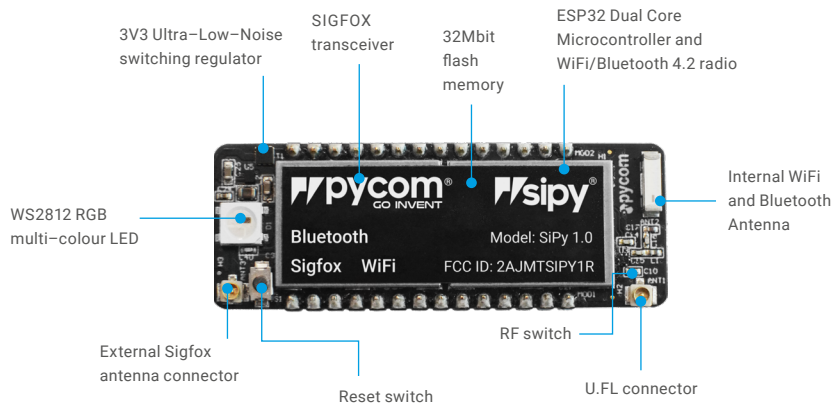




Datasheet  
Version 1.0



<b>1.0</b>	<b>Overview</b>	<b>03</b>	<b>13.0</b>	<b>Bluetooth</b>	<b>13</b>
<b>2.0</b>	<b>Features</b>	<b>03</b>	13.1	Supported features	13
<b>3.0</b>	<b>Specifications</b>	<b>04</b>	13.2	Specification	13
3.1	CPU	04	13.2.1	Receiver – Basic Data Rate	13
3.2	Memory	04	13.2.2	Receiver – Enhanced Data Rate	14
3.3	WiFi	04	13.2.3	Receiver – Bluetooth LE	15
3.4	Bluetooth	04	13.2.4	Transmitter – Basic Data Rate	16
3.5	Sigfox	04	13.2.5	Transmitter – Enhanced Data Rate	17
3.6	RTC	04	13.2.6	Transmitter – Bluetooth LE	18
3.7	Security	04	<b>14.0</b>	<b>Sigfox</b>	<b>19</b>
3.8	Hash / encryption	04	14.1	Frequencies	19
<b>4.0</b>	<b>Block Diagram</b>	<b>04</b>	14.2	Specifications	20
<b>5.0</b>	<b>Pinout</b>	<b>05</b>	<b>15.0</b>	<b>Electrical Characteristics</b>	<b>21</b>
<b>6.0</b>	<b>Pin Details</b>	<b>06</b>	15.1	Absolute maximum ratings	21
6.1	Remapping Pins	07	15.2	Input/Output characteristics	21
<b>7.0</b>	<b>ESP32 Peripherals</b>	<b>08</b>	<b>16.0</b>	<b>Minimum Recommended Circuit</b>	<b>22</b>
7.1	RTC	08	<b>17.0</b>	<b>Mechanical Specifications</b>	<b>23</b>
<b>8.0</b>	<b>Programming the device</b>	<b>09</b>	<b>18.0</b>	<b>Recommended Land Pattern</b>	<b>23</b>
8.1	UART	09	<b>19.0</b>	<b>Recommended Land Patterns</b>	<b>24</b>
8.2	Wi-Fi	09	19.1	Through hole	24
8.2.1	Telnet	09	19.2	Surface mount (SiPy without headers only)	24
8.2.2	FTP	09	<b>20.0</b>	<b>Soldering Profile</b>	<b>25</b>
<b>9.0</b>	<b>Boot modes</b>	<b>09</b>	20.1	With headers	25
9.1	Bootloader mode	09	20.2	Without headers	25
9.2	Safe boot	09	<b>21.0</b>	<b>Ordering Information</b>	<b>26</b>
<b>10.0</b>	<b>Power</b>	<b>10</b>	<b>22.0</b>	<b>Packaging</b>	<b>26</b>
10.1	Current consumption by power modes/features measured at 5V	10	<b>23.0</b>	<b>Certification</b>	<b>27</b>
10.2	Deep sleep	10	23.1	EU Regulatory Conformance	27
<b>11.0</b>	<b>Memory Map</b>	<b>11</b>	23.2	Federal Communication Commission Interference Statement	27
11.1	Flash	11	23.2.1	RF Warning Statement	27
11.2	RAM	11	23.2.2	OEM integrator conditions	27
11.3	ROM and eFuses	11	23.2.3	End Product Labelling	28
<b>12.0</b>	<b>WiFi</b>	<b>12</b>	23.2.4	Manual Information to the End User	28
12.1	Supported features	12	<b>24.0</b>	<b>Revision History</b>	<b>28</b>
12.2	Specifications	12			



**Size**  
55mm x 20mm x 3.5mm  
(excluding headers)

**Operating temperature:**  
-40 to 85 degrees celsius

## 1.0 Overview

With Sigfox, Wifi and BLE, the SiPy is the only triple bearer MicroPython enabled micro controller on the market today – the perfect enterprise grade IoT platform for your connected Things. With the latest Espressif chipset the SiPy offers a perfect combination of power, friendliness and flexibility. Create and connect your things everywhere. Fast.

## 2.0 Features

- Powerful CPU, BLE and state of the art WiFi radio. 1KM Wifi Range
- MicroPython enabled
- Fits in a standard breadboard (with headers)
- Ultra-low power usage: a fraction compared to other connected micro controllers
- Available with or without pin headers soldered on
- Two years free Sigfox connectivity

### 3.0 Specifications

#### 3.1 CPU

- Xtensa® dual-core 32-bit LX6 microprocessor(s), up to 600 DMIPS
- Hardware floating point acceleration
- Python multi-threading
- An extra ULP-coprocessor that can monitor GPIOs, the ADC channels and control most of the internal peripherals during deep-sleep mode while only consuming ~25uA.

#### 3.2 Memory

- RAM: 520KB
- External flash: 4MB

#### 3.3 WiFi

- 802.11b/g/n 16mbps

#### 3.4 Bluetooth

- Low energy and classic

#### 3.5 Sigfox

- Class 0 device. Maximum Tx power: +14dBm(Europe) +22dBm (America) +22dBm (Australia and New Zealand)
- Node range: Up to 50km

#### 3.6 RTC

- Running at 150kHz

#### 3.7 Security

- SSL/TLS support
- WPA Enterprise security

#### 3.8 Hash / encryption

- SHA
- MD5
- DES
- AES

### 4.0 Block Diagram

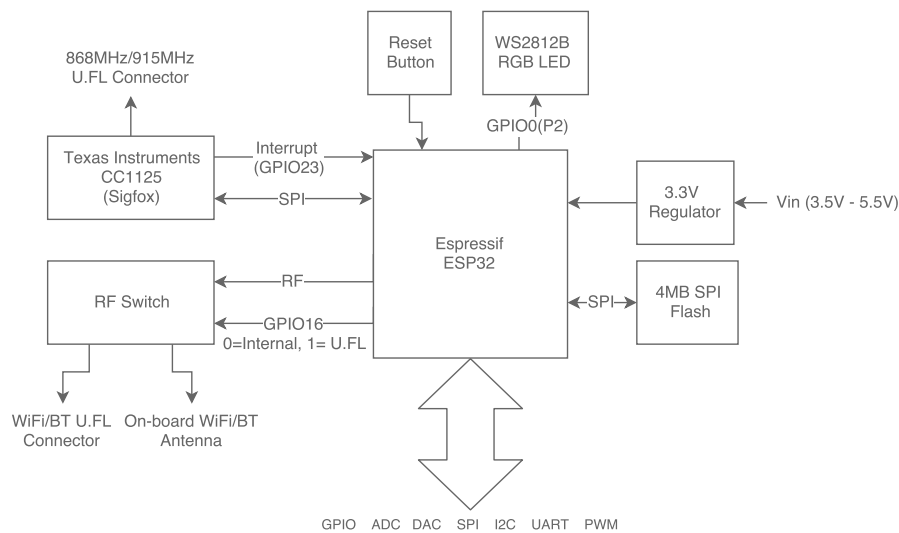
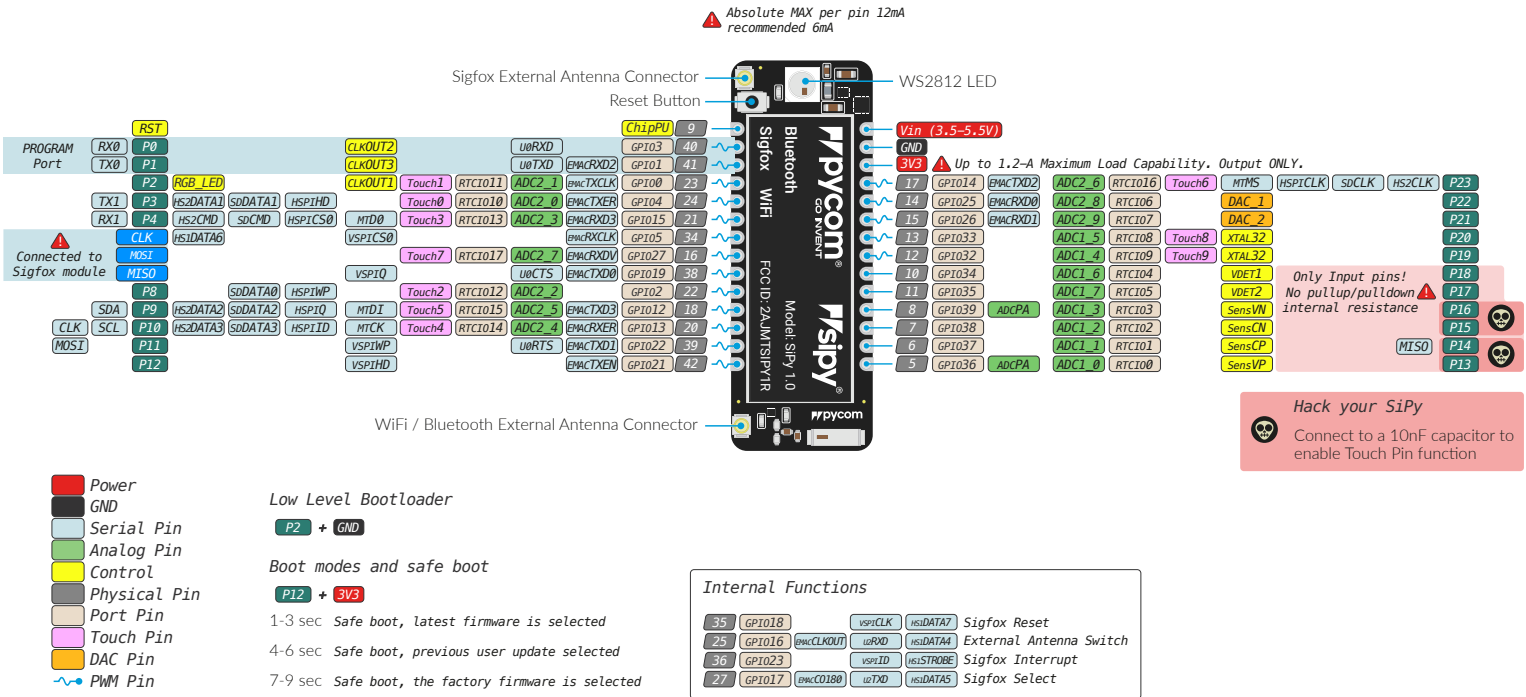


Figure 1 – System block diagram

## 5.0 Pinout



22/03/18

Figure 2 – Module pinout diagram

Note: The ESP32 supports remapping its peripherals to alternative pins. See below for a detailed list.

## 6.0 Pin Details

Table 1 – Module pinout

Module Pin	ESP32 GPIO	Pin Name	Default Function	ADC	PWM	RTC+	Notes
1	–	–	Reset				Active Low, connected to on-board button
2	3	P0	RX0 (Programming)		•		Used by the bootloader and to program the module
3	1	P1	TX0 (Programming)		•		Used by the bootloader and to program the module
4	0	P2		2*	•	•	If tied to GND during boot the device will enter bootloader mode, Connected to the on-board RGB LED
5	4	P3	TX1	2*	•	•	
6	15	P4	RX1	2*	•	•	JTAG TDO, SD card CMD
7	5	–	Sigfox radio SPI CLK		•		Not recommended for external use
8	27	–	Sigfox radio SPI MOSI	2*	•	•	Not recommended for external use
9	19	–	Sigfox radio SPI MISO		•		Not recommended for external use
10	2	P8		2*	•	•	SD card DAT0
11	12	P9	SDA	2*	•	•	JTAG TDI
12	13	P10	SCL (I2C) / CLK (SPI)	2*	•	•	JTAG TCK
13	22	P11	MOSI		•		
14	21	P12			•		If tied to 3.3V during boot the device enters safe boot mode, JTAG MISO
15	36	P13		1		•	Input only
16	37	P14	MISO	1		•	Input only
17	38	P15		1		•	Input only
18	39	P16		1		•	Input only
19	35	P17		1		•	Input only

## 6.0 Pin Details

Table 1 – Module pinout

Module Pin	ESP32 GPIO	Pin Name	Default Function	ADC	PWM	RTC†	Notes
20	34	P18		1		•	Input only
21	32	P19		1	•	•	
22	33	P20		1	•	•	
23	26	P21		2*	•	•	DAC
24	25	P22		2*	•	•	DAC
25	14	P23		2*	•	•	JTAG TMS, SD card SCLK
26	–	–	Regulated 3.3V supply				Output only, do not feed 3.3V into this pin or you can damage the regulator
27	–	–	Ground				
28	–	–	Voltage Input				Accepts a voltage between 3.5V and 5.5V
–	18	–					Sigfox reset
–	16	–					External WiFi/BT antenna switch, Low = on-board, High = U.FL
–	23	–					Sigfox radio interrupt
–	17	–					Sigfox radio chip select

† The pins on the RTC power domain can be used during deep sleep, specifically GPIO pins will maintain their state while in deep sleep.

\* ADC2 is currently not supported in the micropython firmware

### 6.1 Remapping Pins

The ESP32 features comprehensive pin remapping functionality. This allows peripherals to be mapped onto almost any available GPIO pins. The above table merely shows the default assignments. For example, the default mapping has the SPI and I2C clocks overlapping,

meaning both cannot be used simultaneously without remapping one to a different pin. For a detailed guide of what peripheral can be assigned to what pins please read “Appendix A – ESP32 Pin Lists” of the ESP32 datasheet.

## 7.0 ESP32 Peripherals

Table 2 – Peripherals

Peripheral	Count	Pins
UART	3	Remappable to any GPIO. Note: P13–18 can only be mapped to RX or CTS since they are input only.
I2C	2	Remappable to any GPIO except P13–18 since they are input only and I2C is bi-directional.
SPI	3	Remappable to any GPIO. Note: P13–18 can only be mapped to MISO since they are input only.
CAN*	1	Remappable to any GPIO. Note: P13–18 can only be mapped to RX since they are input only.
JTAG	1	TDO = P4, TDI = P9, TCK = P10, TMS = P24
PWM	1	All GPIO except P13–18 which are input only
ADC	18	Fixed mapping, see Table 1, Only ADC 1 is supported in our micropython firmware.
DAC	2	Only available on P21 and P22
SD	1	DAT0 = P8, SCLK = P23, CMD = P4

\* Requires an external CAN bus transceiver, we recommend the SN65HVD230 from Texas Instruments.

For a more detailed description of the ESP32 peripherals along with peripherals not currently supported by our firmware, please check the ESP32 datasheet.

### 7.1 RTC

Our modules by default all use the internal RC oscillator at 150kHz for the RTC. If you require better accuracy/stability you can connect a 32.768 kHz crystal (or TCXO) externally on pins P19 and P20 (or P19 for a TXCO)

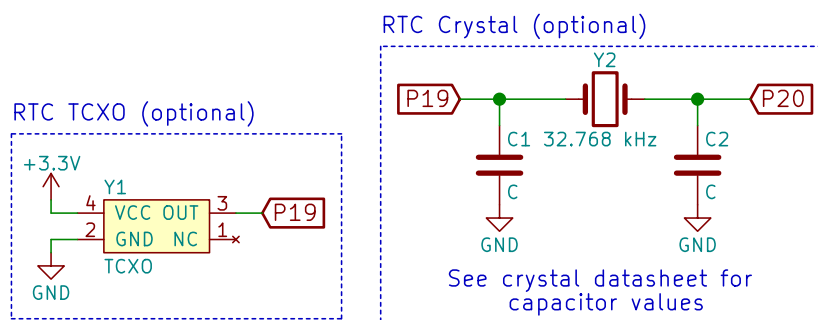


Figure 3 – External RTC crystal circuits

## 8.0 Programming the device

### 8.1 UART

By default, the modules run an interactive python REPL on UART0 which is connected to P0 (RX) and P1 (TX) running at 115200 baud. The easiest way to connect to the SiPy is via our expansion board, but any USB UART adapter will suffice. Code can be run via this interactive REPL or you can use our PyMakr plugin for Atom or Visual Studio Code to upload code to the board.

### 8.2 Wi-Fi

By default, the SiPy also acts as a Wi-Fi access point.  
 SSID: sipy-wlan-XXXX  
 Password: www.pycom.io  
 Once connected to the SiPy's Wi-Fi network you can access it in two ways.

### 8.2.1 Telnet

Running on port 23 is a telnet server. This acts in a very similar way to the UART. It presents you with an interactive REPL and can also be used to upload code via PyMakr.

### 8.2.2 FTP

The SiPy also runs a FTP server that allows you to copy files to and from the device, include an SD card if one is connected. To connect to this FTP server, you need to use plain FTP (un-encrypted) with the following credentials:  
 User: micro  
 Password: python

## 9.0 Boot modes

### 9.1 Bootloader mode

In order to update the firmware of the SiPy device, it needs to be placed into bootloader mode. In order to do this, P2 needs to be connected to ground when the device reboots. Once in bootloader mode you can use the Pycom firmware update tool to update to the latest official firmware. If you are developing your own firmware based on our open-source firmware, a flashing script is provided with the source code.

### 9.2 Safe boot

The micropython firmware features a safe boot feature that skips the boot.py and main.py scripts and goes straight to the REPL. This is useful if the device is programmed with code that causes the device to crash or become inaccessible. To access this mode, you need to connect P12 to 3.3V and reset the device. Upon entering safe boot mode, the on-board LED will begin to blink orange. Depending on the duration the pin is held at 3.3V, a different firmware will be run.

Table 3 – Boot modes

0–3 Seconds	3–6 Seconds
Current firmware without running boot.py or main.py	Previous firmware if the firmware was uploaded via OTA (without running boot.py and main.py)

## 10.0 Power

The SiPy features an on-board voltage regulator that takes 3.5V – 5.5V from the VIN pin and regulates it to 3.3V. It is important to only use the 3.3V as an output and not try to feed 3.3V into this pin as this could damage the regulator.

### 10.1 Current consumption by power modes/features measured at 5V

Table 4 – Power consumption by feature

Mode	Min	Avg.	Max	Units
Idle (no radios)	–	37.7	–	mA
Sigfox†	–	160	–	mA
WiFi AP	–	101	–	mA
WiFi client	–	111	–	mA
Bluetooth	–	95.9	–	mA
Deep sleep*	–	15.1	–	mA
Deep sleep with shield	–	530	–	µA

† More details can be found in section 14.2

\*See section 10.2

### 10.2 Deep sleep

Due to a couple issues with the SiPy design the module draws more current than it should while in deep sleep. The DC-DC switching regulator always stays in high performance mode which is used to provide the lowest possible output ripple when the modules is in use. In this mode, it draws a quiescent current of 10mA. When the regulator is put into ECO mode, the quiescent current goes down to 10µA. Unfortunately, the pin used to control this mode is out of the RTC domain, and therefore not usable during deep sleep. This causes the regulator to always stay in PWM mode, keeping its quiescent current

at 10mA. Alongside this the flash chip doesn't enter power down mode because the CS pin is floating during deep sleep. This causes the flash chip to consume around 2mA of current. Only the WiPY 2.0, LoPy 1.0 and SiPy 1.0 are affected by these issues. To work around this issue a "deep sleep shield" is available that attaches to the module and allows power to be cut off from the device. The device can then be re-enabled either on a timer or via pin interrupt. With the deep sleep shield the current consumption during deep sleep is between 7µA and 10µA depending on the wake sources configured.

## 11.0 Memory Map

### 11.1 Flash

Table 5 – Flash memory map

Name	Description	Start address	Size
NVS	Non-volatile RAM area. Used by the NVS API	0x9000	0x7000
Firmware Slot 0	First firmware slot. Factory firmware is flashed here	0x10000	0x180000
OTA info	Information about the current active firmware	0x190000	0x1000
Firmware Slot 1	Second firmware slot	0x1A0000	0x180000
File system	504KB file system on devices with 4MB flash	0x380000	0x7F000
Config	Config area for LoRa, Sigfox and LTE	0x3FF000	0x1000

### 11.2 RAM

Table 6 – RAM memory map

Name	Description	Size
On-chip SRAM	Internal RAM memory used by the 2 xtensa CPUs	520KB
Fast RTC RAM	Fast RAM area accessible by the xtensa cores during boot and sleep modes	8KB
Slow RTC RAM	Slow RAM area accessible by the Ultra-Low Power Coprocessor during deep sleep	8KB

### 11.3 ROM and eFuses

Table 7 – Miscellaneous memory

Name	Description	Size
On-chip ROM	Contains core functions and boot code.	448KB
eFuse	256 bits are used for the system (MAC address and chip configuration) and the remaining 768 bits are reserved for customer applications, including Flash-Encryption and Chip-ID	1kbit

## 12.0 WiFi

### 12.1 Supported features

- 802.11 b/g/n/e/i
- 802.11 n (2.4 GHz), up to 150 Mbps
- 802.11 e: QoS for wireless multimedia technology
- WMM-PS, UAPSD
- A-MPDU and A-MSDU aggregation
- Block ACK
- Fragmentation and defragmentation
- Automatic Beacon monitoring/scanning
- 802.11 i security features: pre-authentication and TSN
- Wi-Fi Protected Access (WPA)/WPA2/WPA2-Enterprise/Wi-Fi Protected Setup (WPS)
- Infrastructure BSS Station mode/SoftAP mode
- Wi-Fi Direct (P2P), P2P Discovery, P2P Group Owner mode and P2P Power Management

### 12.2 Specifications

Table 8 – WiFi specifications

Description	Min	Typ.	Max	Unit
Input Frequency	2412	–	2484	MHz
Tx power Output power of PA for 72.2 Mbps	13	14	15	dBm
Output power of PA for 11b mode	19.5	20	20.5	dBm
Sensitivity				
DSSS, 1Mbps	–	–	98	dBm
CCK, 11 Mbps	–	–	91	dBm
OFDM, 6 Mbps	–	–	93	dBm
OFDM, 54 Mbps	–	–	75	dBm
HT20, MCS0	–	–	93	dBm
HT20, MCS7	–	–	73	dBm
HT40, MCS0	–	–	90	dBm
HT40, MCS7	–	–	70	dBm
MCS32	–	–	89	dBm
Adjacent channel rejection				
OFDM, 6 Mbps	–	37	–	dB
OFDM, 54 Mbps	–	21	–	dB
HT20, MCS0	–	37	–	dB
HT20, MCS7	–	20	–	dB

## 13.0 Bluetooth

### 13.1 Supported features

- Compliant with Bluetooth v4.2 BR/EDR and BLE specification
  - Class-1, class-2 and class-3 transmitter without external power amplifier
  - Enhanced power control
  - +12 dBm transmitting power
  - NZIF receiver with -97 dBm sensitivity
  - Adaptive Frequency Hopping (AFH)
  - Standard HCI based on SDIO/SPI/UART
  - High-speed UART HCI, up to 4 Mbps
  - BT 4.2 controller and host stack
- Service Discover Protocol (SDP)
  - General Access Profile (GAP)
  - Security Manage Protocol (SMP)
  - ATT/GATT
  - HID
  - All GATT-based profile supported
  - SPP-like GATT-based profile
  - BLE Beacon
  - A2DP/AVRCP/SPP, HSP/HFP, RFCOMM
  - CVSD and SBC for audio codec
  - Bluetooth Piconet and Scatternet

### 13.2 Specification

#### 13.2.1 Receiver – Basic Data Rate

Table 9 – Receiver (basic data rate) specifications

Parameter	Min	Typ.	Max	Unit
Sensitivity @0.1% BER	-	-94	-	dBm
Maximum received signal @0.1% BER	0	-	-	dBm
Co-channel C/I	-	+7	-	dB
Adjacent channel selectivity C/I	F = F0 + 1 MHz	-	-6	dB
	F = F0 - 1 MHz	-	-6	dB
	F = F0 + 2 MHz	-	-25	dB
	F = F0 - 2 MHz	-	-33	dB
	F = F0 + 3 MHz	-	-25	dB
	F = F0 - 3 MHz	-	-45	dB
Out-of-band blocking performance	30Mhz ~ 2000MHz	-10	-	dBm
	2000MHz ~ 2400MHz	-27	-	dBm
	2500MHz ~ 3000MHz	-27	-	dBm
	3000MHz ~ 12.5GHz	-10	-	dBm
Intermodulation	-36	-	-	dBm

### 13.2.2 Receiver – Enhanced Data Rate

Table 10 – Receiver (basic data rate) specifications

Parameter	Min	Typ.	Max	Unit
$\pi/4$ DQPSK				
Sensitivity @0.1% BER	–	–90	–	dBm
Maximum received signal @0.1% BER	–	0	–	dBm
Co-channel C/I	–	11	–	dB
Adjacent channel selectivity C/I	F = F0 + 1 MHz	–	–7	dB
	F = F0 – 1 MHz	–	–7	dB
	F = F0 + 2 MHz	–	–25	dB
	F = F0 – 2 MHz	–	–35	dB
	F = F0 + 3 MHz	–	–25	dB
	F = F0 – 3 MHz	–	–45	dB
8DPSK				
Sensitivity @0.1% BER	–	–84	–	dBm
Maximum received signal @0.1% BER	–	–5	–	dBm
C/I c-channel	–	18	–	dB
Adjacent channel selectivity C/I	F = F0 + 1 MHz	–	2	dB
	F = F0 – 1 MHz	–	2	dB
	F = F0 + 2 MHz	–	–25	dB
	F = F0 – 2 MHz	–	–25	dB
	F = F0 + 3 MHz	–	–25	dB
	F = F0 – 3 MHz	–	–38	dB

### 13.2.3 Receiver – Bluetooth LE

Table 11 – Receiver (BLE) specifications

Parameter		Min	Typ.	Max	Unit
Sensitivity @30.8% PER		-	-97	-	dBm
Maximum received signal @30.8% PER		0	-	-	dBm
Co-channel C/I		-	+10	-	dB
Adjacent channel selectivity C/I	F = F0 + 1MHz	-	-5	-	dB
	F = F0 - 1MHz	-	-5	-	dB
	F = F0 + 2MHz	-	-25	-	dB
	F = F0 - 2MHz	-	-35	-	dB
	F = F0 + 3MHz	-	-35	-	dB
	F = F0 - 3MHz	-	-45	-	dB
Out-of-band blocking performance	30MHz ~ 2000MHz	-10	-	-	dB
	2000MHz ~ 2400MHz	-27	-	-	dBm
	2500MHz ~ 3000MHz	-27	-	-	dBm
	3000MHz ~ 12.5GHZ	-10	-	-	dBm
Intermodulation		-36	-	-	dBm

### 13.2.4 Transmitter – Basic Data Rate

Table 12 – Transmitter (basic data rate) specifications

Parameter	Min	Typ.	Max	Unit	
RF transmit power	–	0	–	dBm	
Gain control step	–	±3	–	dBm	
RF power control range	–12	–	+12	dBm	
+20 dB bandwidth	–	0.9	–	MHz	
Adjacent channel transmit power	F = F0 + 1 MHz	–	–24	–	dBm
	F = F0 – 1 MHz	–	–16.1	–	dBm
	F = F0 + 2 MHz	–	–40.8	–	dBm
	F = F0 – 2 MHz	–	–35.6	–	dBm
	F = F0 + 3 MHz	–	–45.7	–	dBm
	F = F0 – 3 MHz	–	–40.2	–	dBm
	F = F0 + >3 MHz	–	45.6	–	dBm
	F = F0 – >3 MHz	–	44.6	–	dBm
$\Delta f_{1_{avg}}$	–	–	155	KHz	
$\Delta f_{2_{max}}$	133.7			KHz	
$\Delta f_{2_{avg}}/\Delta f_{1_{avg}}$	–	0.92	–	–	
ICFT	–	–7	–	KHz	
Drift rate	–	0.7	–	KHz/50 $\mu$ s	
Drift (1 slot packet)	–	6	–	KHz	
Drift (5 slot packet)	–	6	–	KHz	

### 13.2.5 Transmitter – Enhanced Data Rate

Table 13 – Transmitter (enhanced data rate) specifications

Parameter	Min	Typ.	Max	Unit	
RF transmit power	–	0	–	dBm	
Gain control step	–	±3	–	dBm	
RF power control range	–12	–	+12	dBm	
$\pi/4$ DQPSK max $w_0$	–	–0.72	–	KHz	
$\pi/4$ DQPSK max $w_i$	–	–6	–	KHz	
$\pi/4$ DQPSK max $ w_i + w_0 $	–	–7.42	–	KHz	
8DPSK max $w_0$	–	0.7	–	KHz	
8DPSK max $w_i$	–	–9.6	–	KHz	
8DPSK max $ w_i + w_0 $	–	–10	–	KHz	
$\pi/4$ DQPSK modulation accuracy	RMS DEVM	–	4.28	–	%
	99% DEVM	–	–	30	%
	Peak DEVM	–	13.3	–	%
8 DPSK modulation accuracy	RMS DEVM	–	5.8	–	%
	99% DEVM	–	–	20	%
	Peak DEVM	–	14	–	%
In-band spurious emissions	F = F <sub>0</sub> + 1MHz	–	–34	–	dBm
	F = F <sub>0</sub> – 1MHz	–	–40.2	–	dBm
	F = F <sub>0</sub> + 2MHz	–	–34	–	dBm
	F = F <sub>0</sub> – 2MHz	–	–36	–	dBm
	F = F <sub>0</sub> + 3MHz	–	–38	–	dBm
	F = F <sub>0</sub> – 3MHz	–	–40.3	–	dBm
	F = F <sub>0</sub> ± >3MHz	–	–	–41.5	dBm
EDR differential phase coding	–	100	–	%	

### 13.2.6 Transmitter – Bluetooth LE

Table 14 – Transmitter (BLE) specifications

Parameter		Min	Typ.	Max	Unit
RF transmit power		-	0	-	dBm
Gain control step		-	±3	-	dBm
RF power control range		-12	-	+12	dBm
Adjacent channel transmit power	F = F0 + 1MHz	-	-14.6	-	dBm
	F = F0 - 1MHz	-	-12.7	-	dBm
	F = F0 + 2MHz	-	-44.3	-	dBm
	F = F0 - 2MHz	-	-38.7	-	dBm
	F = F0 + 3MHz	-	-49.2	-	dBm
	F = F0 - 3MHz	-	-44.7	-	dBm
	F = F0 + >3MHz	-	-50	-	dBm
	F = F0 - >3MHz	-	-50	-	dBm
$\Delta f_{1_{avg}}$		-	-	265	KHz
$\Delta f_{2_{max}}$		247	-	-	KHz
$\Delta f_{2_{avg}}/\Delta f_{1_{avg}}$		-	-0.92	-	-
ICFT		-	-10	-	KHz
Drift rate		-	0.7	-	KHz/50 $\mu$ s
Drift		-	2	-	KHz

## 14.0 Sigfox

### 14.1 Frequencies

Table 15 – Supported Sigfox regions

Region	Uplink Frequency (Hz)	Downlink Frequency (Hz)
RCZ1 (Europe)*	868130000	869525000
RCZ2 (US)	902200000	905200000
RCZ3 (Korea and Japan)*	923200000	922200000
RCZ4 (South America, Australia and New Zealand).	920800000	922300000

\* The 22 dBm model of the SiPy features a filter to remove unwanted emissions, which has the side effect of making it unusable in zones 1 and 3

## 14.2 Specifications

Table 16 – Sigfox modem performance

Parameter		Min	Typ.	Max	Unit
Data Rate	RCZ1	–	100	–	bps
	RCZ2	–	600	–	bps
	RCZ3	–	100	–	bps
	RCZ4	–	600	–	bps
TX Power	RCZ1	–	+14	–	dBm
	RCZ2	–	+22	–	dBm
	RCZ3	–	+14	–	dBm
	RCZ4	–	+22	–	dBm
RX Sensitivity	RCZ1 and RCZ3	–	–126	–	dBm
	RCZ2 and RCZ4	–	–128	–	dBm
Current Draw	RCZ1 TX	–	47	–	mA
	RCZ1 RX	–	17	–	mA
	RCZ2 TX	–	257	–	mA
	RCZ2 RX	–	24	–	mA
	RCZ3 TX	–	47	–	mA
	RCZ3 RX	–	17	–	mA
	RCZ4 TX	–	257	–	mA
	RCZ4 RX	–	24	–	mA

## 15.0 Electrical Characteristics

### 15.1 Absolute maximum ratings

Table 17 – Absolute maximum ratings

Parameter	Symbol	Min	Typ.	Max	Unit
Supply Input Voltage	$V_{IN}$	3.5	–	5.5	V
Supply Output Current	$I_{OUT}$	–	–	1.2	A
Supply Output Voltage	$V_{3V3}$	–	3.3	–	V
Storage Temperature	$T_{STR}$	–	–	–	°C
Operating Temperature	$T_{OPR}$	–40	–	85	°C
Moisture Sensitivity Level	MSL	–	1	–	–

### 15.2 Input/Output characteristics

Table 18 – Input/Output characteristics

Parameter	Symbol	Min	Typ.	Max	Unit
Input low voltage	$V_{IL}$	–0.3	–	$0.25 \times V_{3V3}$	V
Input high voltage	$V_{IH}$	$0.75 \times V_{3V3}$	–	$V_{3V3} + 0.3$	V
Max Input sink current	$I_{SINK}$	–	6	12	mA
Input leakage current	$I_{IL}$	–	–	50	nA
Input pin capacitance	$C_{pin}$	–	–	2	pF
Output low voltage	$V_{OL}$	$0.1 \times V_{3V3}$	–	–	V
Output high voltage	$V_{OH}$	$0.8 \times V_{3V3}$	–	–	V
Max Output source current	$I_{SOURCE}$	–	6	12	mA

## 16.0 Minimum Recommended Circuit

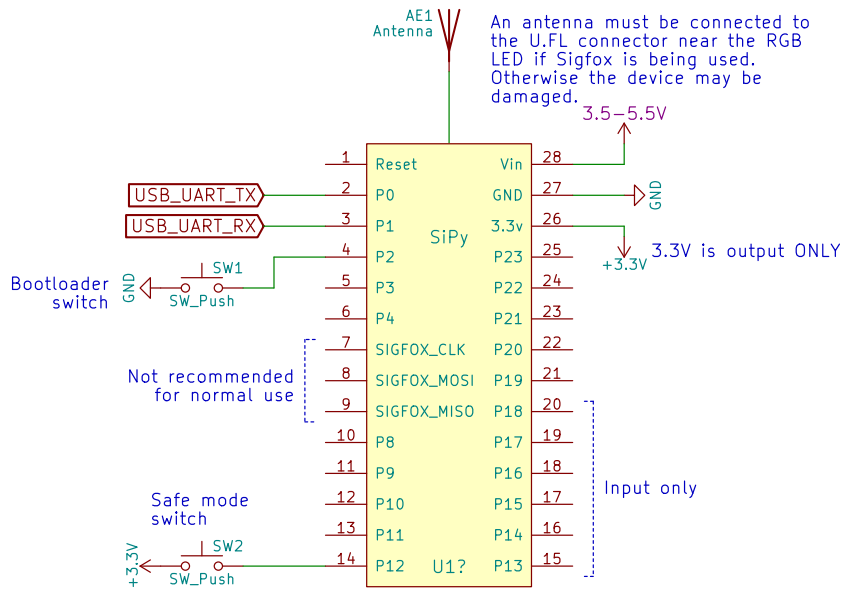


Figure 4 – Minimum required circuit

## 17.0 Mechanical Specifications

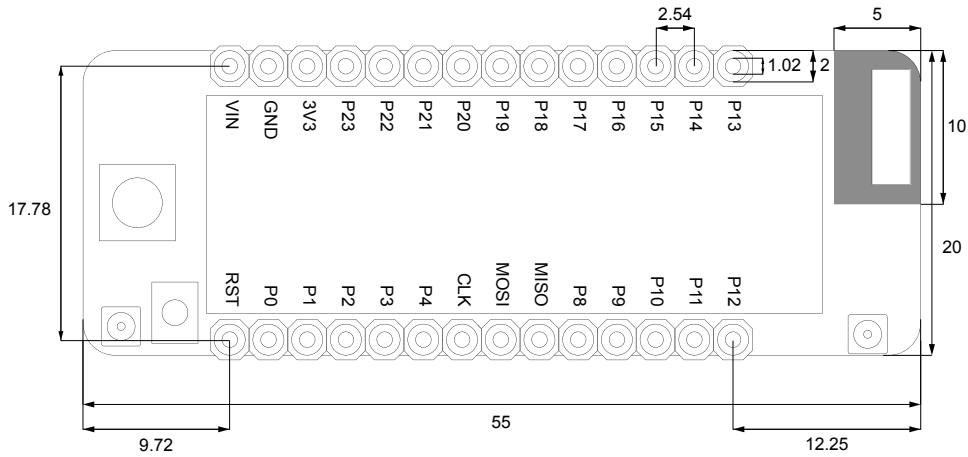


Figure 5 – Mechanical drawing (top down view) – Units: mm

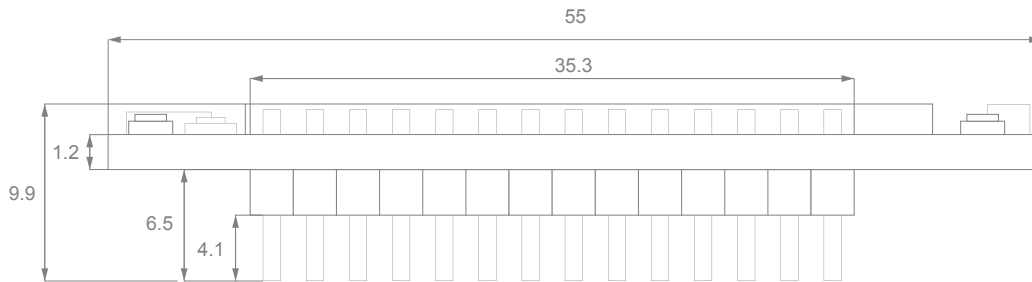


Figure 6 – Mechanical drawing (side view) – Units: mm

## 18.0 Recommended Land Pattern

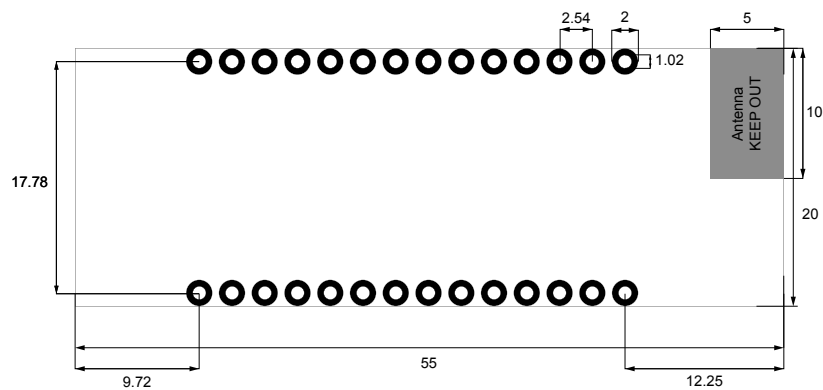


Figure 6 – Recommended land pattern (through hole) – Units: mm

## 19.0 Recommended Land Patterns

### 19.1 Through hole

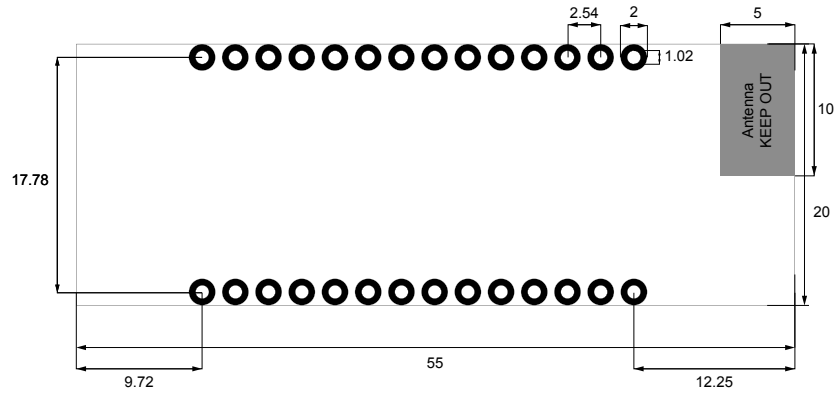


Figure 7 – Recommended land pattern (through hole) – Units: mm

### 19.2 Surface mount (SiPy without headers only)

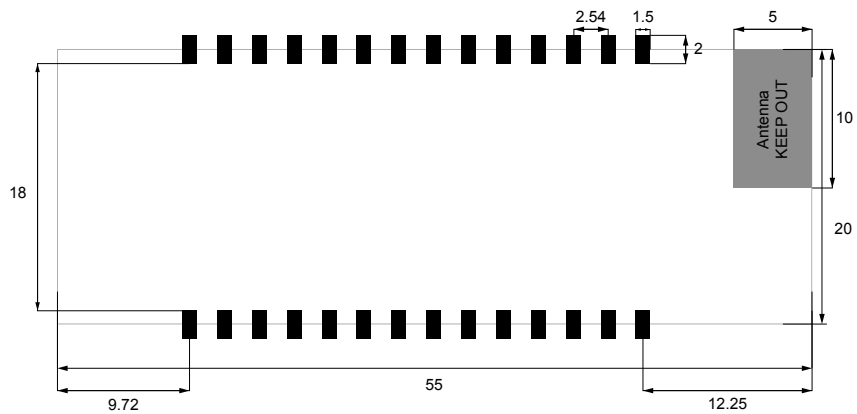


Figure 8 – Recommended land pattern (surface mount) – Units: mm

## 20.0 Soldering Profile

### 20.1 With headers

This device is not recommended for reflow soldering. The plastic of the pin headers will melt, instead please hand solder the module or use sockets.

### 20.2 Without headers

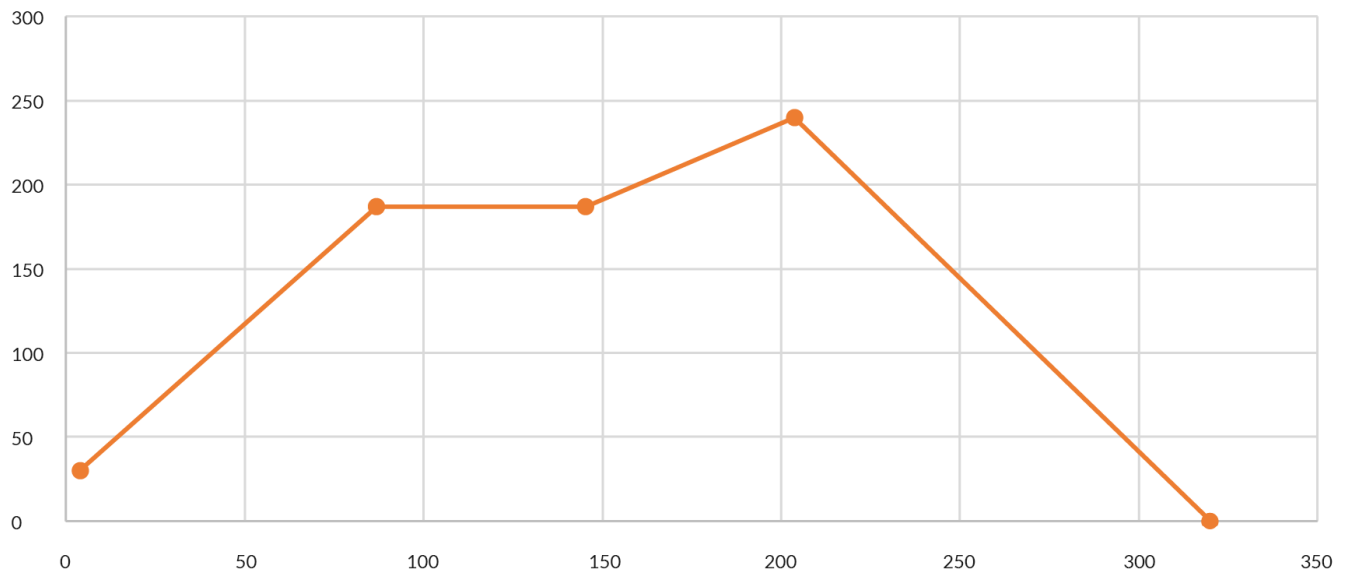


Figure 9 – Reflow soldering temperature profile

Table 19 – Soldering profile temperatures

Stage	Duration/Rate	Temperature
Ramp to soak	2°C/s	Ambient – 185°C
Soak	60s	185°C
Ramp to peak	1°C/s	240°C
Reflow	45s	>225°C
Cool down	2°C/s	

The above profile is based on Alpha CVP-390 solder paste, which has been successfully tested with our devices.

## 21.0 Ordering Information

Table 20 – Ordering information

Product EAN	Description	Bundle	Contents
0700461242659	SiPy 1.0 with Headers (14 dBm)	SiPy Multi-Pack	1x SiPy4 1x Expansion Board or Pysense or Pytrack 1x Sigfox antenna  Available in quantities of 1, 2 or 5
0700461242666	SiPy 1.0 with Headers (22 dBm)		
0700461242734	SiPy 1.0 without headers (14 dBm)		
0700461242741	SiPy 1.0 without headers (22 dBm)		
0700461341703	Sigfox Antenna		
0700461341680	External WiFi Antenna		
0700461341697	IP67 Antenna Pigtail		

For more product accessories like expansion board or cases visit our website: <http://www.pycom.io>

## 22.0 Packaging



Figure 10 – Mechanical drawing of packaging – Units: mm

The module will come inside a reusable anti-static bag. If the module has headers it will also be inserted into anti-static foam.

Total weight inc. packaging (with headers): 31g

Total weight inc. packaging (without headers): 29g

## 23.0 Certification

FCC 2AJMTSIPY1R  
IC 22263-SIPY1  
CE 0700

Copies of the certificates can be found on our website.

### Regulator Information

#### 23.1 EU Regulatory Conformance

Hereby, Pycom Ltd declares that this device is in compliance with the essential requirements and other relevant provisions of Directive 1999/5/EC

#### 23.2 Federal Communication Commission Interference Statement

This device complies with Part 15 of the FCC Rules. Operation is subject to the following two conditions:

1. This device may not cause harmful interference.
2. This device must accept any interference received, including interference that may cause undesired operation.

CAUTION: Changes or modifications not expressly approved by the party responsible for compliance could void the user's authority to operate the equipment.

NOTE: This equipment has been tested and found to comply with the limits for a Class B digital device, pursuant to Part 15 of the FCC Rules. These limits are designed to provide reasonable protection against harmful interference in a residential installation. This equipment generates, uses and can radiate radio frequency energy and, if not installed and used in accordance with the instructions, may cause harmful interference to radio communications. However, there is no guarantee that interference will not occur in a particular installation. If this equipment does cause harmful interference to radio or television reception, which can be determined by turning the equipment off and on, the user is encouraged to try to correct the interference by one or more of the following measures:

- Reorient or relocate the receiving antenna.
- Increase the separation between the equipment and receiver.
- Connect the equipment into an outlet on a circuit different from that to which the receiver is connected.
- Consult the dealer or an experienced radio/TV technician for help.

##### 23.2.1 RF Warning Statement

To comply with FCC RF exposure compliance requirements, the antennas used for this transmitter must be installed to provide a separation distance of at least 20 cm from all persons and must not be co-located or operating in conjunction with any other antenna or transmitter.

##### 23.2.2 OEM integrator conditions

This device is intended only for OEM integrators under the following conditions:

1. The antenna must be installed such that 20 cm is maintained between the antenna and users, and
2. The transmitter module may not be co-located with any other transmitter or antenna.

As long as the two conditions above are met, further transmitter test will not be required. However, the OEM integrator is still responsible for testing their end-product for any additional compliance requirements required with this module installed. To ensure compliance with all non-transmitter functions the host manufacturer is responsible for ensuring compliance with the module(s) installed and fully operational. For example, if a host was previously authorized as an unintentional radiator under the Declaration of Conformity procedure without a transmitter certified module and a module is added, the host manufacturer is responsible for ensuring that the after the module is installed and operational the host continues to be compliant with the Part 15B unintentional radiator requirements.

The module is limited to OEM installation ONLY. The module is limited to installation in mobile or fixed application. We hereby acknowledge our responsibility to provide guidance to the host manufacturer in the event that they require assistance for ensuring compliance with the Part 15 Subpart B requirements.

IMPORTANT NOTE: In the event that these conditions cannot be met (for example certain laptop configurations or co-location with another transmitter), then the FCC authorization is no longer considered valid and the FCC ID cannot be used on the final product. In these circumstances, the OEM integrator will be responsible for re-evaluating the end product (including the transmitter) and obtaining a separate FCC authorization.

### 23.2.3 End Product Labelling

This transmitter module is authorized only for use in device where the antenna may be installed such that 20 cm may be maintained between the antenna and users. The final end product must be labelled in a visible area with the following: "Contains FCC ID: 2AJMTSIPY1R". The grantee's FCC ID can be used only when all FCC compliance requirements are met.

The following FCC part 15.19 statement has to also be available on the label:

This device complies with Part 15 of FCC rules. Operation is subject to the following two conditions:

1. this device may not cause harmful interference and
2. this device must accept any interference received, including interference that may cause undesired operation.

### 23.2.4 Manual Information to the End User

The OEM integrator has to be aware not to provide information to the end user regarding how to install or remove this RF module in the user's manual of the end product which integrates this module.

In the user manual of the end product, the end user has to be informed that the equipment complies with FCC radio-frequency exposure guidelines set forth for an uncontrolled environment.

The end user has to also be informed that any changes or modifications not expressly approved by the manufacturer could void the user's authority to operate this equipment.

The end user manual shall include all required regulatory information/warning as show in this manual.

The maximum operating ambient temperature of the equipment declared by the manufacturer is -40~+85C

Receiver category 3

## 24.0 Revision History

Table 21 – Document revision history

Version 1.0	Initial Release
-------------	-----------------